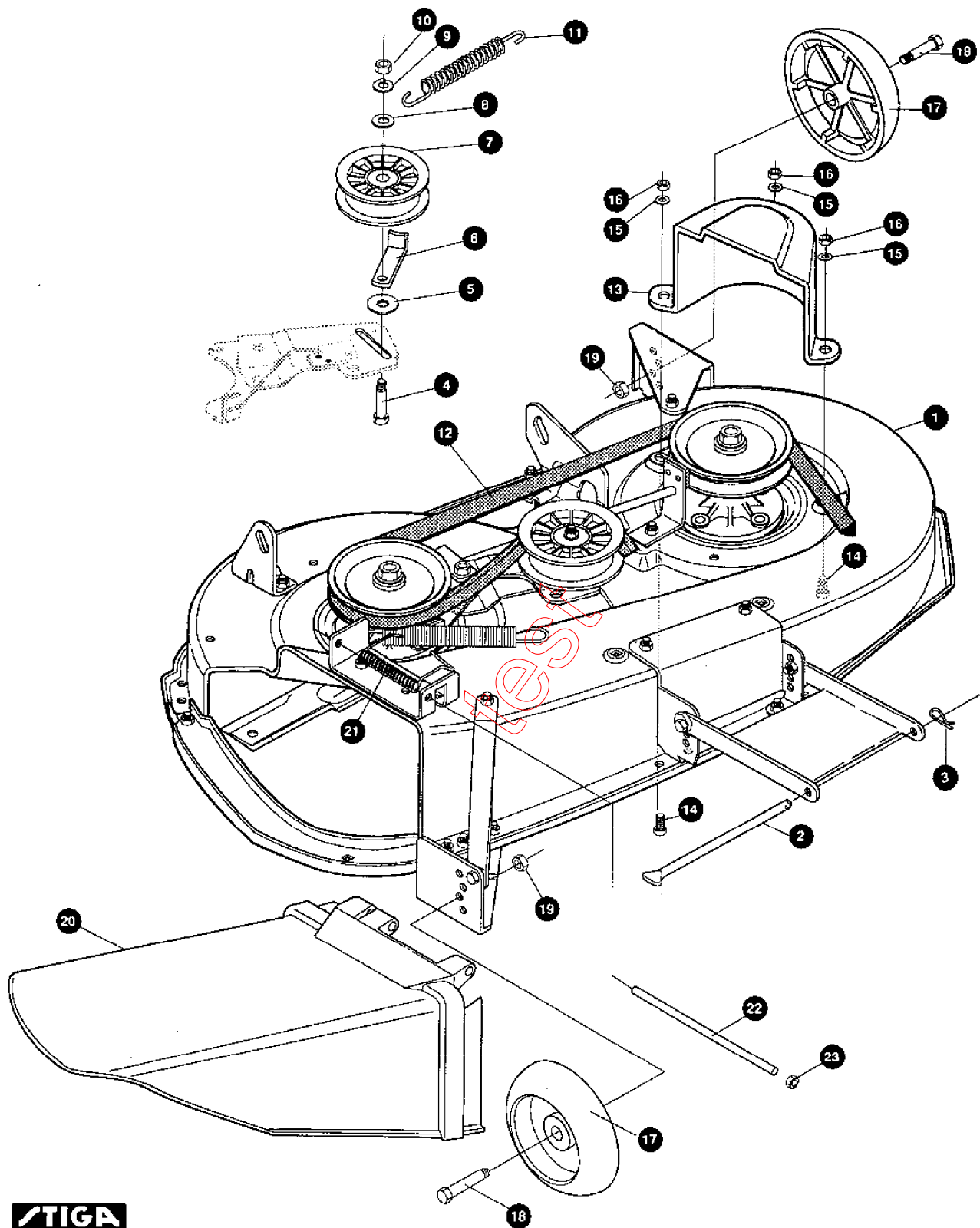


STIGA
505
SPARE PARTS

Section: MONARK 12/40 MOWER DECK

| Pos. | Quantity | Spare part No | Description | Kit | Notes | New |
|------|----------|---------------|---------------------|-----|-----------|-----|
| | 8831 | | | | | |
| 1 | 1 | 1133-0858-01 | Deck | | | |
| 2 | 1 | 1133-0865-01 | Toe guard | | | |
| 3 | 24 | 9988-3619-16 | Screw | | | |
| 4 | 25 | 9743-3621-32 | Nut | | | |
| 7 | 1 | 1133-0678-01 | Bracket-chute mount | | | |
| 10 | 1 | 1133-0245-01 | Lift bracket-R.H. | | | |
| 12 | 2 | 9699-0028-02 | Flat washer | | | |
| 14 | 1 | 1133-0246-01 | Lift bracket-L.H. | | | |
| 16 | 2 | 9699-0028-02 | Flat washer | | | |
| 18 | 1 | 1133-0870-01 | Brace idler support | | | |
| 20 | 2 | 9699-0028-02 | Flat washer | | | |
| 21 | 2 | 9743-3621-32 | Nut | | | |
| 22 | 1 | 1133-0839-01 | Idler arm | | | |
| 22A | 2 | 1133-0270-01 | .Rivet | | Pos. 22-2 | |
| 22B | 1 | 1133-0377-01 | .Brake pad | | Pos. 22-3 | |
| 26 | 1 | 1133-0821-01 | Bolt | | | |
| 27 | 1 | 9699-0030-02 | Flat washer | | | |
| 28 | 2 | 9699-0030-02 | Flat washer | | | |
| 29 | 1 | 9727-3641-22 | Nut | | | |
| 30 | 1 | 1133-0739-01 | Idler bracket exten | | | |
| 33 | 1 | 1133-0840-01 | Blade brake | | | |
| 33A | 2 | 1133-0270-01 | .Rivet | | Pos. 33-1 | |
| 33B | 1 | 1133-0377-01 | .Brake pad | | Pos. 33-3 | |
| 38 | 1 | 9699-0028-02 | Flat washer | | | |
| 40 | 1 | 1133-0819-01 | Brake rod | | | |
| 41 | 1 | 9743-3521-32 | Nut | | | |
| 42 | 1 | 1133-0056-01 | Brake return spring | | | |
| 44 | 2 | 1133-0183-01 | Quill assy | | | |
| 44A | 1 | 1133-0184-01 | .Saddle and shaft | | Pos. 44-1 | |
| 44B | 1 | 1133-0110-01 | .Bearing | | Pos. 44-2 | |
| 44C | 1 | 1133-0119-01 | .Dust shield quill | | Pos. 44-3 | |
| 44D | 1 | 1133-0155-01 | .Quill | | Pos. 44-4 | |
| 44E | 1 | 1133-0110-01 | .Bearing | | Pos. 44-5 | |
| 44F | 1 | 1133-0123-01 | .Spacer tube | | Pos. 44-6 | |
| 44G | 1 | 1133-0125-01 | .Spacer | | Pos. 44-7 | |
| 44H | 1 | 1133-0179-01 | .Pulley | | Pos. 44-8 | |
| 44I | 1 | 1133-0177-01 | .Flatwasher | | Pos. 44-9 | |
| 44J | 1 | 1133-0003-01 | .Flange nut | | Pos. 44-0 | |
| 55 | 7 | 1133-0057-01 | Screw | | | |
| 56 | 1 | 1133-0643-01 | Screw | | | |
| 57 | 1 | 1133-0831-01 | Bracket | | | |
| 60 | 1 | 1133-0254-01 | Bracket deck front | | | |
| 61 | 2 | 1133-0244-01 | Adjusting nut | | | |
| 62 | 2 | 9988-3625-16 | Screw | | | |
| 64 | 1 | 1133-0830-01 | Wheel bracket-L.H. | | | |
| 67 | 1 | 1133-0841-01 | Wheel bracket-R.H. | | | |
| 68 | 1 | 1133-0829-01 | Bracket, stabilizer | | | |
| 71 | 1 | 1133-0827-01 | Blade | | | |
| 72 | 6 | 1133-0598-01 | Washer | | | |
| 73 | 2 | 1133-0762-01 | Screw | | | |
| 74 | 1 | 9988-3532-12 | Screw | | | |



Section: MONARK 12/40 MOWER DECK

| Pos. | Quantity | Spare part No | Description | Kit | Notes | New |
|------|----------|---------------|-----------------|-----|------------|-----|
| | 8831 | | | | | |
| 1 | 1 | 1133-0858-01 | Deck | | | |
| 2 | 1 | 1133-0255-01 | Deck hitch rod | | | |
| 3 | 1 | 9598-0002-02 | Pin lock | | | |
| 4 | 1 | 1133-0214-01 | Carriage bolt | | | |
| 5 | 1 | 1133-0638-01 | Flat washer | | | |
| 6 | 1 | 1133-0007-01 | Belt retainer | | | |
| 7 | 1 | 1133-0654-01 | Idler pulley | | | |
| 8 | 1 | 9699-0030-02 | Flat washer | | | |
| 9 | 1 | 9683-0035-02 | Lock washer | | | |
| 10 | 1 | 9795-3731-02 | Nut | | | |
| 11 | 1 | 1133-0294-01 | Spring | | | |
| 12 | 1 | 1133-0832-01 | V-belt | | L = 81.00" | |
| 13 | 1 | 1133-0331-01 | Belt guard | | | |
| 14 | 3 | 9988-3619-16 | Screw | | | |
| 15 | 3 | 9699-0028-02 | Flat washer | | | |
| 16 | 3 | 9743-3621-32 | Nut | | | |
| 17 | 2 | 1133-0487-01 | Wheel | | | |
| 18 | 2 | 1133-0049-01 | Wheel axle | | | |
| 19 | 2 | 9743-3721-32 | Nut | | | |
| 20 | 1 | 1133-0822-01 | Deflector chute | | | |
| 21 | 1 | 1133-0561-01 | Torsion spring | | | |
| 22 | 1 | 1133-0647-01 | Pivot rod-deck | | | |
| 23 | 1 | 1812-0513-01 | Retainer | | | |

test